

ITEM	DESCRIPTION	G3101		
		SPARES No	SPARES No	SPARES No
1	O/T BURNER ASSEMBLY COMPLETE	535290006	535290006	535290006
	O/T BURNER CAP ASSEMBLY	1.1	535290000	535290000
	O/T BURNER BASE	1.2	535290001	535290001
	O/T INJECTOR HOLDER NAT GAS & PROPANE	1.3	535290003	535290003
	O/T 1.93 NAT GAS INJECTOR	1.3.1	535290004	535290004
	O/T 1.2 PROPANE INJECTOR	1.3.2	535290005	535290005
	8mm OLIVE	1.3.3	535480027	535480027
	TUBE NUT	1.3.4	535480028	535480028
2	HOB PANEL	535400150	535400150	535400150
3	O/T BURNER SUPPORT BAR	535290002	535290002	535290002
4	O/T REAR THERMOCOUPLE	535480012	535481112	535480012
5	O/T FRONT THERMOCOUPLE	535480011	535480011	535480011
6	O/T FRONT FLEXI PIPE C/W OLIVES	535400045	535400045	535400045
7	O/T REAR FLEXI PIPE C/W OLIVES	535400055	535400055	535400055
8	O/T CONTROL VALVE NAT GAS & PROPANE	535200021	535200021	535200021
	8MM OLIVE	8.1	535480027	535480027
	TUBE NUT	8.2	535290007	535290007
	NAT GAS BYPASS SCREW (76)	8.3	535290008	535290008
	PROPANE BYPASS SCREW (51)	8.4	535290009	535290009
9	FLOAT RAIL	535290010	535300000	535300000
10	GOVERNOR	535480015	535480015	535480015
11	3/4" FITTING	535480016	535480016	535480016
	CONVERSION KIT NAT GAS TO PROPANE (PRE F551159)	535290029	535300005	535340002
	CONVERSION KIT PROPANE TO NAT GAS (PRE F551159)	535290030	535300006	535340003
	CONVERSION KIT NAT GAS TO PROPANE (POST F551159)	535290065	535300005	535340002
	CONVERSION KIT PROPANE TO NAT GAS (POST F551159)	535290066	535300006	535340003

# PRODUCTION ISSUE

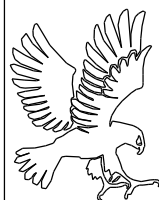
ISSUE	MOD No	ALTERATION	DRAWN BY	DATE
B	7178	OVEN CONTROLS REMOVED FROM DRAWING	S.MOONEY	29/09/14

IF IN DOUBT ASK  
DO NOT SCALE  
FIRST ANGLE PROJECTION

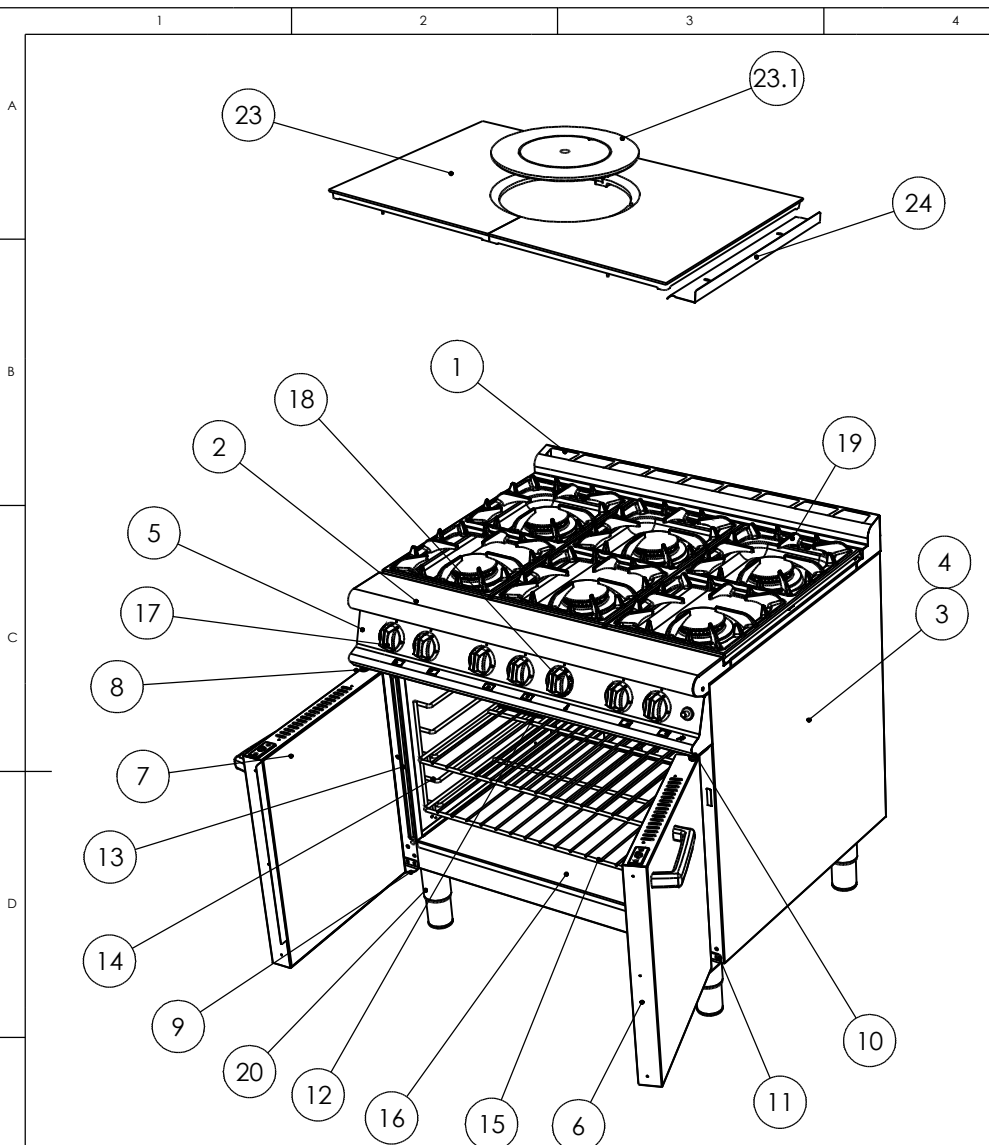
UNLESS OTHERWISE SPECIFIED:  
DIMENSIONS ARE IN MILLIMETERS  
TOLERANCES:  
LINEAR: ±0.5mm  
ANGULAR: ±0.5 DEG

DEBUR AND  
BREAK SHARP EDGES

WEIGHT: g



DRAWN: <b>IAIN JAMES</b>	PRODUCT <b>G3101/OTC/21/17</b>	
DATE: <b>31/05/11</b>	TITLE <b>SPARES - HOB CONTROLS</b>	
SCALE: <b>1:10</b>	DRAWING NUMBER	ISSUE
MATL: -	<b>AA48638</b>	<b>B</b>
THICKNESS:	FINISH:	PART No:
BIN No:		



		5		6		7		8	
ITEM	DESCRIPTION	G3101 SPARES No	G3101 OTC SPARES No	G3117 SPARES No	G3107 SPARES No				
1	REAR HOB RAIL	535290017	535290017	535290017	535290017				
2	FRONT HOB RAIL	535290018	535290018	535290018	535290018				
3	RH OUTER SIDE PANEL	535200001	535200001	535200001	535200001				
4	LH OUTER SIDE PANEL	535200000	535200000	535200000	535200000				
5	CONTROL PANEL	535290019	535300001	535320000	535310009				
6	RH DOOR ASSEMBLY (GLASS DOOR FOR OTC)	535290020	535300002	535290020	535290020				
6.1	DOOR HANDLE	535290022	535290022	535290022	535290022				
6.2	DOOR CATCH	535480054	535480054	535480054	535480054				
6.3	DOOR HINGE BUSH	535480077	535480077	535480077	535480077				
7	LH DOOR ASSEMBLY (GLASS DOOR FOR OTC)	535290021	535300003	535290021	535290021				
7.1	DOOR HANDLE	535290022	535290022	535290022	535290022				
7.2	DOOR CATCH	535480054	535480054	535480054	535480054				
7.2	DOOR HINGE BUSH	535480077	535480077	535480077	535480077				
8	TOP DOOR HINGE - LH	535200006	535200006	535200006	535200006				
9	BOTTOM DOOR HINGE - LH	535200007	535200007	535200007	535200007				
10	TOP DOOR HINGE - RH	535200008	535200008	535200008	535200008				
11	BOTTOM DOOR HINGE - RH	535200009	535200009	535200009	535200009				
12	DOOR CATCH KEEPER	535200013	535200013	535200013	535200013				
13	DOOR SEAL	535200005	535210001	535200005	535200005				
14	OVEN SHELF HANGER	535200012	535200012	535200012	535200012				
15	OVEN SHELF	535290023	535290023	535290023	535290023				
16	OVEN BASE PLATE PRE JAN 17	535290024	535210002	535290024	535290024				
16	OVEN BASE PLATE POST JAN 17	535290080	NO CHANGE	535290080	535290080				
17	O/T - SOLID TOP CONTROL KNOB	535290025	535290025	N/A	535310010				
18	OVEN CONTROL KNOB	535290026	535300004	535290026	535290026				
19	PAN SUPPORT	535290027	535290027	N/A	N/A				
20	ADJUSTABLE FOOT	535290028	535290028	535290028	535290028				
21	REAR FIXED CASTOR (NOT SHOWN)	534103055	534103055	534103055	534103055				
22	FRONT SWIVEL CASTOR (NOT SHOWN)	530964350	530964350	530964350	530964350				
23	SOLID TOP CASTING COMPLETE	N/A	N/A	N/A	535400170				
23.1	SOLID TOP CENTRE & RING SET	N/A	N/A	N/A	535400160				
24	HOB SIDE DRIP SHED	N/A	N/A	535410018	535410018				
25	GP OVEN WORKTOP PANEL (NOT SHOWN)	N/A	N/A	535470002	N/A				

# PRODUCTION ISSUE

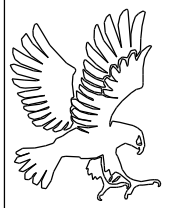
ISSUE	MOD No	ALTERATION	DRAWN BY	DATE
B	8093	ADDITION OF PRE & POST DATES FOR OVEN BOTTOM PLATES	F.GARVOCK	20/04/18

IF IN DOUBT ASK  
DO NOT SCALE  
FIRST ANGLE PROJECTION

UNLESS OTHERWISE SPECIFIED:  
DIMENSIONS ARE IN MILLIMETERS  
TOLERANCES:  
LINEAR: ±0.5mm  
ANGULAR: ±0.5 DEG

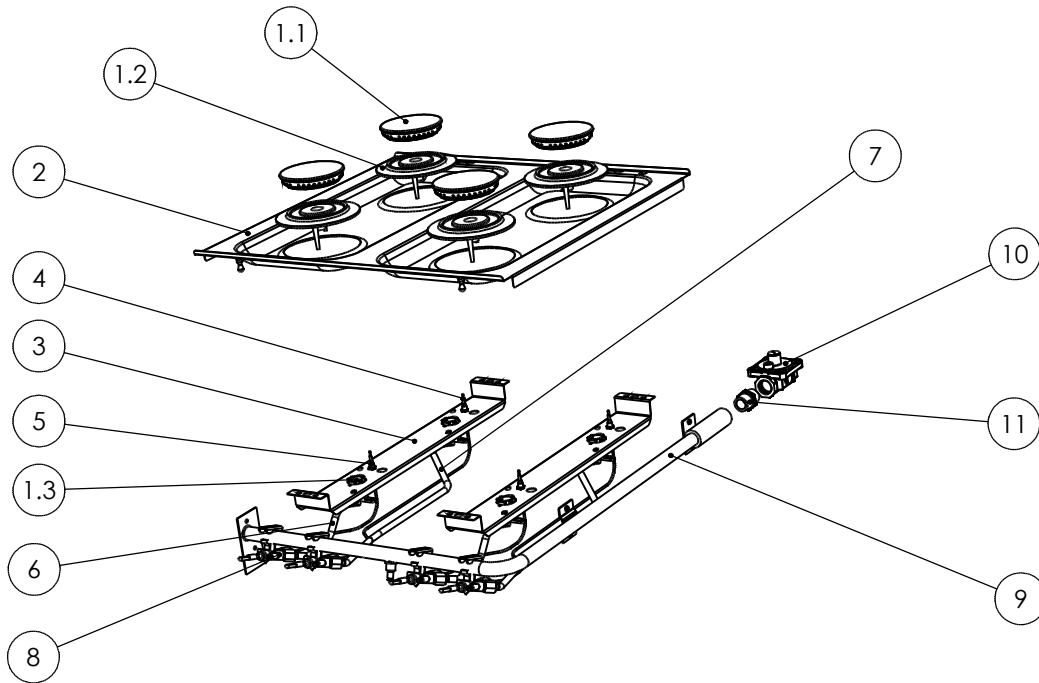
DEBUR AND  
BREAK SHARP EDGES

WEIGHT: g



DRAWN: <b>IAIN JAMES</b>	PRODUCT		<b>G3101/OTC/17/07</b>	
DATE: <b>31/05/11</b>	TITLE			
SCALE: <b>1:10</b>	<b>G3101 SPARES - FITMENTS</b>			
MATL:	DRAWING NUMBER		ISSUE	
THICKNESS:	<b>AA48639</b>		<b>B</b>	
BIN No:	PART No:			

© NO REPRODUCTION OR PUBLICATION OF THIS DRAWING MAY BE MADE AND NO ARTICLE MAY BE MANUFACTURED OR ASSEMBLED IN ACCORDANCE WITH THIS DRAWING WITHOUT PRIOR WRITTEN CONSENT. THIS PROHIBITION IS A TERM OF ANY CONTRACT RELATING TO THIS DRAWING. RIGHTS RESERVED UNDER THE COPYRIGHT ACT 1956 AS AMENDED BY THE DESIGN COPYRIGHT ACT 1968



		G3161/D	G3124
ITEM	DESCRIPTION	SPARES No	SPARES No
1	O/T BURNER ASSEMBLY COMPLETE	535290006	535290006
1.1	O/T BURNER CAP ASSEMBLY	535290000	535290000
1.2	O/T BURNER BASE	535290001	535290001
1.3	O/T INJECTOR HOLDER NAT GAS & PROPANE	535290003	535290003
1.3.1	O/T 1.93 NAT GAS INJECTOR	535290004	535290004
1.3.2	O/T 1.2 PROPANE INJECTOR	535290005	535290005
1.3.3	8mm OLIVE	535480027	535480027
1.3.4	TUBE NUT	535480028	535480028
2	HOB PANEL	535430010	535430010
3	O/T BURNER SUPPORT BAR	535290002	535290002
4	O/T REAR THERMOCOUPLE	535480012	535480012
5	O/T FRONT THERMOCOUPLE	535480011	535480011
6	O/T FRONT FLEXI PIPE C/W OLIVES	535400045	535400045
7	O/T REAR FLEXI PIPE C/W OLIVES	535400055	535400055
8	O/T CONTROL VALVE NAT GAS & PROPANE	535200021	535200021
8.1	8MM OLIVE	535480027	535480027
8.2	TUBE NUT	535290007	535290007
8.3	NAT GAS BYPASS SCREW (76)	535290008	535290008
8.4	PROPANE BYPASS SCREW (51)	535290009	535290009
9	FLOAT RAIL	535330000	535360000
10	GOVERNOR	535480015	535480015
11	3/4" FITTING	535480016	535480016
	CONVERSION KIT NAT GAS TO PROPANE (PRE F554920)	535330012	535360003
	CONVERSION KIT PROPANE TO NAT GAS (PRE F554920)	535330013	535360004
	CONVERSION KIT NAT GAS TO PROPANE (POST F554920)	535330014	535360003
	CONVERSION KIT PROPANE TO NAT GAS (POST F554920)	535330015	535360004

# PRODUCTION ISSUE

ISSUE	MOD No	ALTERATION	DRAWN BY	DATE
B	6834	G3161D ADDED	P.METCALFE	01/03/13
C	7224	OVEN CONTROLS REMOVED FROM DRAWING	S.MOONEY	10/12/14

IF IN DOUBT ASK  
DO NOT SCALE  
FIRST ANGLE PROJECTION

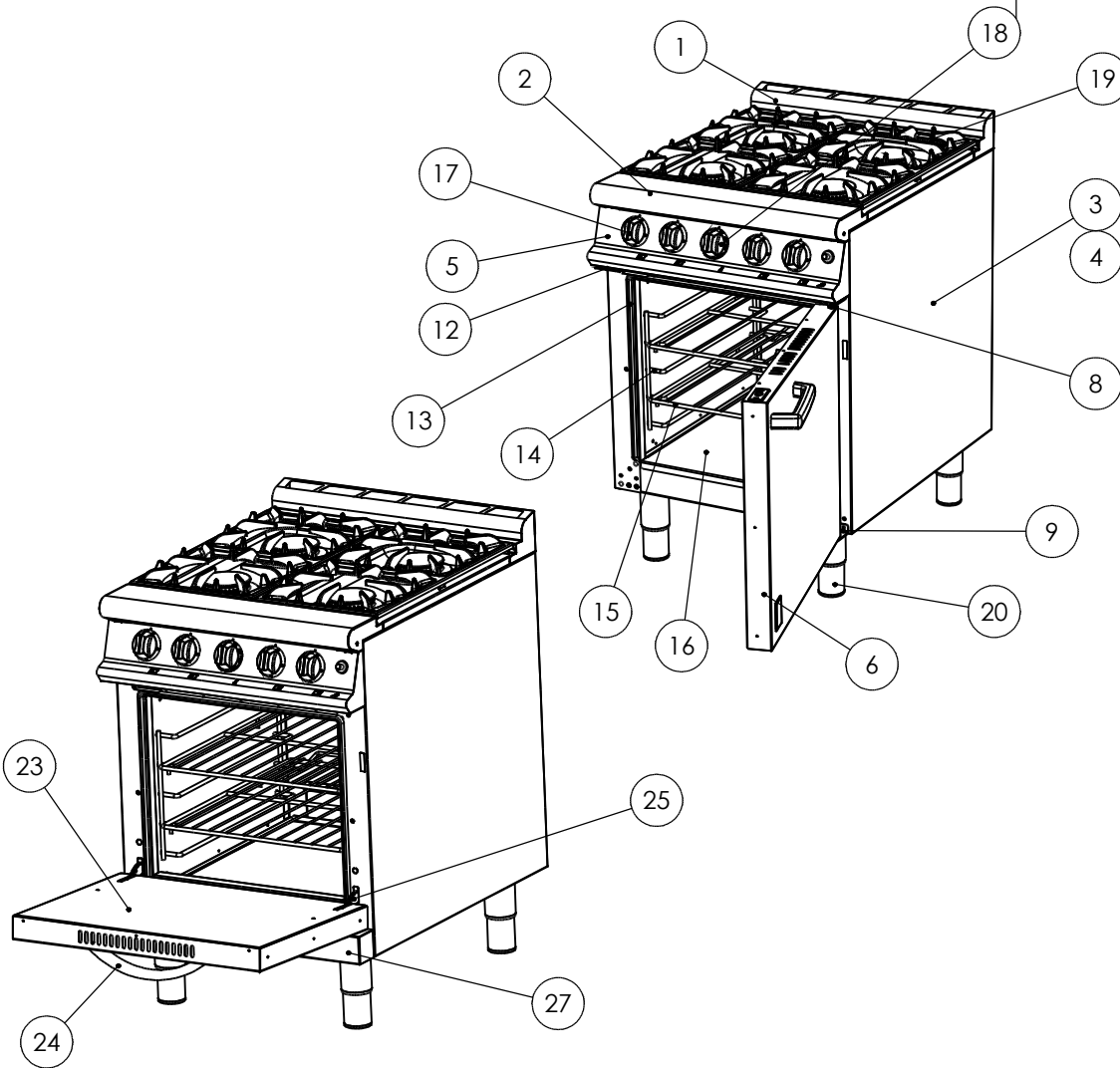
UNLESS OTHERWISE SPECIFIED:  
DIMENSIONS ARE IN MILLIMETERS  
TOLERANCES:  
LINEAR: ±0.5mm  
ANGULAR: ±0.5 DEG

DEBUR AND  
BREAK SHARP EDGES

WEIGHT: 88310.29g



DRAWN: <b>IAIN JAMES</b>	PRODUCT <b>G3161/61D/24</b>	
DATE: <b>31/05/11</b>	TITLE <b>SPARES - HOB CONTROLS</b>	
SCALE: <b>1:7.5</b>	DRAWING NUMBER	ISSUE
MATL: <b>N/A</b>	<b>AA48641</b>	<b>C</b>
THICKNESS:	FINISH:	PART No:
BIN No:		



		8	
		G3161	G3161D
	ITEM	DESCRIPTION	
	1	REAR HOB RAIL	
	2	FRONT HOB RAIL	
	3	RH OUTER SIDE PANEL	
	4	LH OUTER SIDE PANEL	
	5	CONTROL PANEL	
	6	RH HINGED DOOR ASSEMBLY (STANDARD)	
	6.1	535330008	N/A
	6.2	535290022	N/A
	6.3	535480054	N/A
	7	LH HINGED DOOR ASSEMBLY (OPTION NOT SHOWN)	
	7.1	535480077	N/A
	7.2	535290022	N/A
	7.2	535480054	N/A
	8	535480077	N/A
	8	TOP DOOR HINGE - RH (STANDARD)	
	9	535200008	N/A
	9	BOTTOM DOOR HINGE - RH (STANDARD)	
	10	535200009	N/A
	10	TOP DOOR HINGE - LH (OPTION NOT SHOWN)	
	11	535200006	N/A
	11	BOTTOM DOOR HINGE - LH (OPTION NOT SHOWN)	
	12	535200007	N/A
	12	DOOR KATCH KEEPER	
	13	535480096	N/A
	13	DOOR SEAL	
	14	535241010	
	14	OVEN SHELF HANGER	
	15	535200012	
	15	OVEN SHELF	
	16	535330010	
	16	OVEN BASE PLATE PRE JAN 17	
	16	535330011	535290049
	16	OVEN BASE PLATE POST JAN 17	
	16	535290081	535290082
	17	O/T CONTROL KNOB	
	17	535290025	
	18	OVEN CONTROL KNOB	
	18	535290026	
	19	PAN SUPPORT	
	19	535290027	
	20	ADJUSTABLE FOOT	
	20	535290028	
	21	REAR FIXED CASTOR (NOT SHOWN)	
	21	534103055	
	22	FRONT SWIVEL CASTOR (NOT SHOWN)	
	22	530964350	
	23	OVEN DOOR ASSY	N/A
	23		535290045
	24	OVEN DOOR HANDLE	
	24		535290046
	25	DOOR HINGE SET	N/A
	25		535290038
	26	DOOR HINGE PLATE SET (NOT SHOWN)	N/A
	26		535290039
	27	BOTTOM SKIRT PANEL	N/A
	27		535290047

# PRODUCTION ISSUE

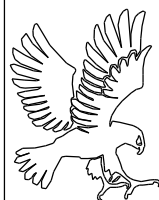
ISSUE	MOD No	ALTERATION	DRAWN BY	DATE
B	6834	DETAILS ADDED FOR G3161D	P.METCALFE	06/03/13
C	8093	ADDITION OF PRE & POST DATES FOR OVEN BOTTOM TRAYS	F.GARVOCK	23/04/18

IF IN DOUBT ASK  
DO NOT SCALE  
FIRST ANGLE PROJECTION

UNLESS OTHERWISE SPECIFIED:  
DIMENSIONS ARE IN MILLIMETERS  
TOLERANCES:  
LINEAR: ±0.5mm  
ANGULAR: ±0.5 DEG

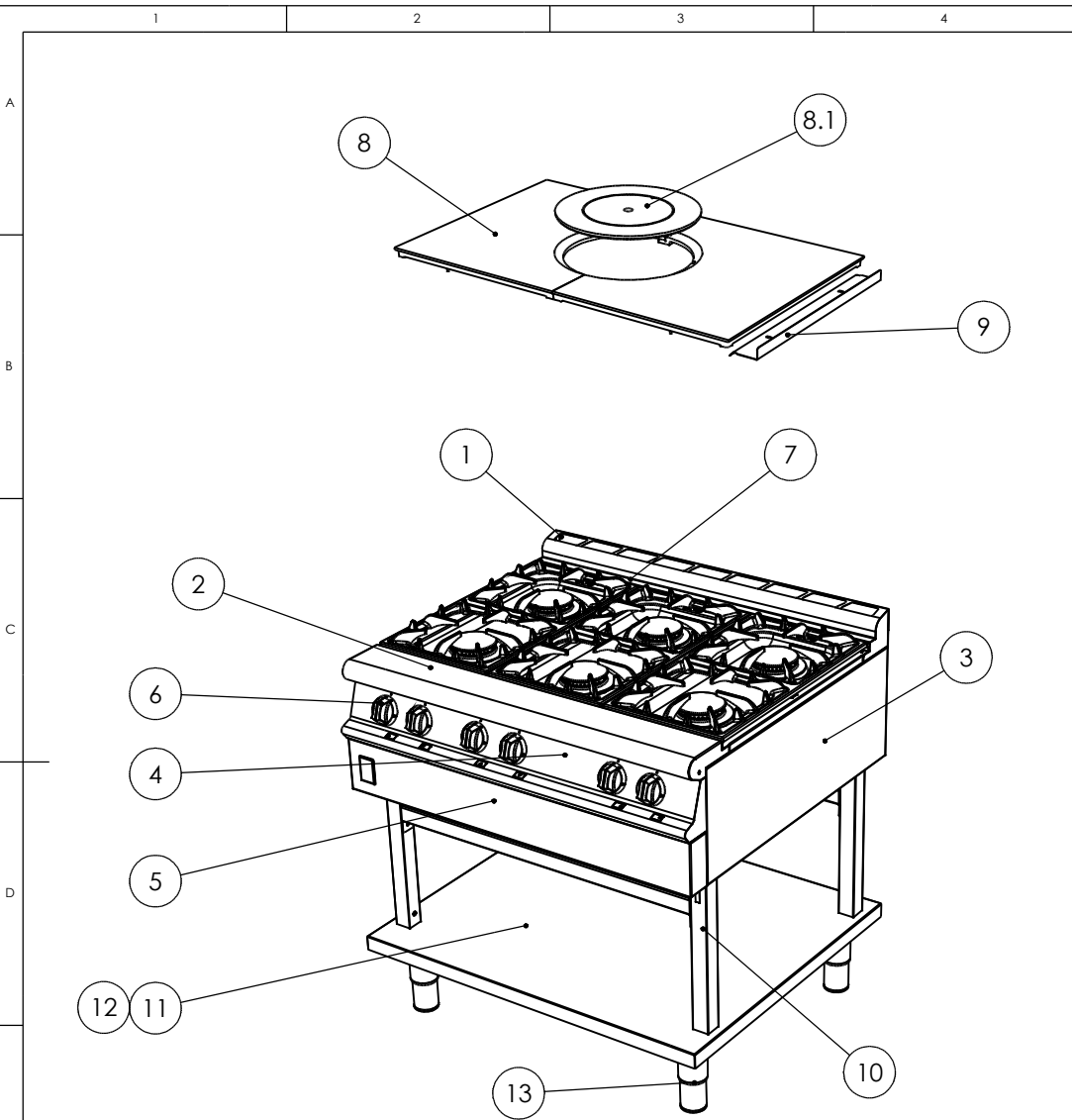
DEBUR AND  
BREAK SHARP EDGES

WEIGHT: 81418.65g



DRAWN: IAIN JAMES	PRODUCT	<b>G3161</b>	
DATE: 31/05/11	TITLE	<b>SPARES-FITMENTS</b>	
SCALE: 1:10	DRAWING NUMBER	<b>AA48642</b>	
MATL: -	ISSUE	<b>C</b>	
THICKNESS:	FINISH:		
BIN No:	PART No:		

NO REPRODUCTION OR PUBLICATION OF THIS DRAWING MAY BE MADE AND NO ARTICLE MAY BE MANUFACTURED OR ASSEMBLED IN ACCORDANCE WITH THIS DRAWING WITHOUT PRIOR WRITTEN CONSENT. THIS PROHIBITION IS A TERM OF ANY CONTRACT RELATING TO THIS DRAWING. RIGHTS RESERVED UNDER THE COPYRIGHT ACT 1956 AS AMENDED BY THE DESIGN COPYRIGHT ACT 1968



ITEM	DESCRIPTION	SPARES No		
		G3121	G3127	G3124
1	REAR HOB RAIL	535290017	535290017	535330004
2	FRONT HOB RAIL	535290018	535290018	535330005
3	OUTER SIDE PANEL	535400190	535400190	535400190
4	CONTROL PANEL	535340000	535350000	535360001
5	CONTROL PANEL LOWER FACIA	535340001	535340001	535360002
6	HOB CONTROL KNOB	535290025	535310010	535290025
7	PAN SUPPORT	535290027	N/A	535290027
8	SOLID TOP CASTING COMPLETE	N/A	535400170	N/A
8.1	SOLID TOP CENTRE & RING SET	N/A	535400160	N/A
9	HOB SIDE DRIP SHED	N/A	535410018	N/A
10	LEG STAND LEG ASSEMBLY	535400202	535400202	535460002
11	BOTTOM SHELF	535400203	535400203	535460003
12	BOTTOM FRAME (NOT SHOWN)	535400204	535400204	535460004
13	ADJUSTABLE FOOT	535290028	535290028	535290028
14	REAR FIXED CASTOR (NOT SHOWN)	534103055	534103055	534103055
15	FRONT SWIVEL CASTOR (NOT SHOWN)	530964350	530964350	530964350

**CLEARED FOR PRODUCTION**

ISSUE	MOD No	ALTERATION	DRAWN BY	DATE
A	6422	PRODUCTION ISSUE	IAIN JAMES	09/08/11

IF IN DOUBT ASK  
DO NOT SCALE  
FIRST ANGLE PROJECTION



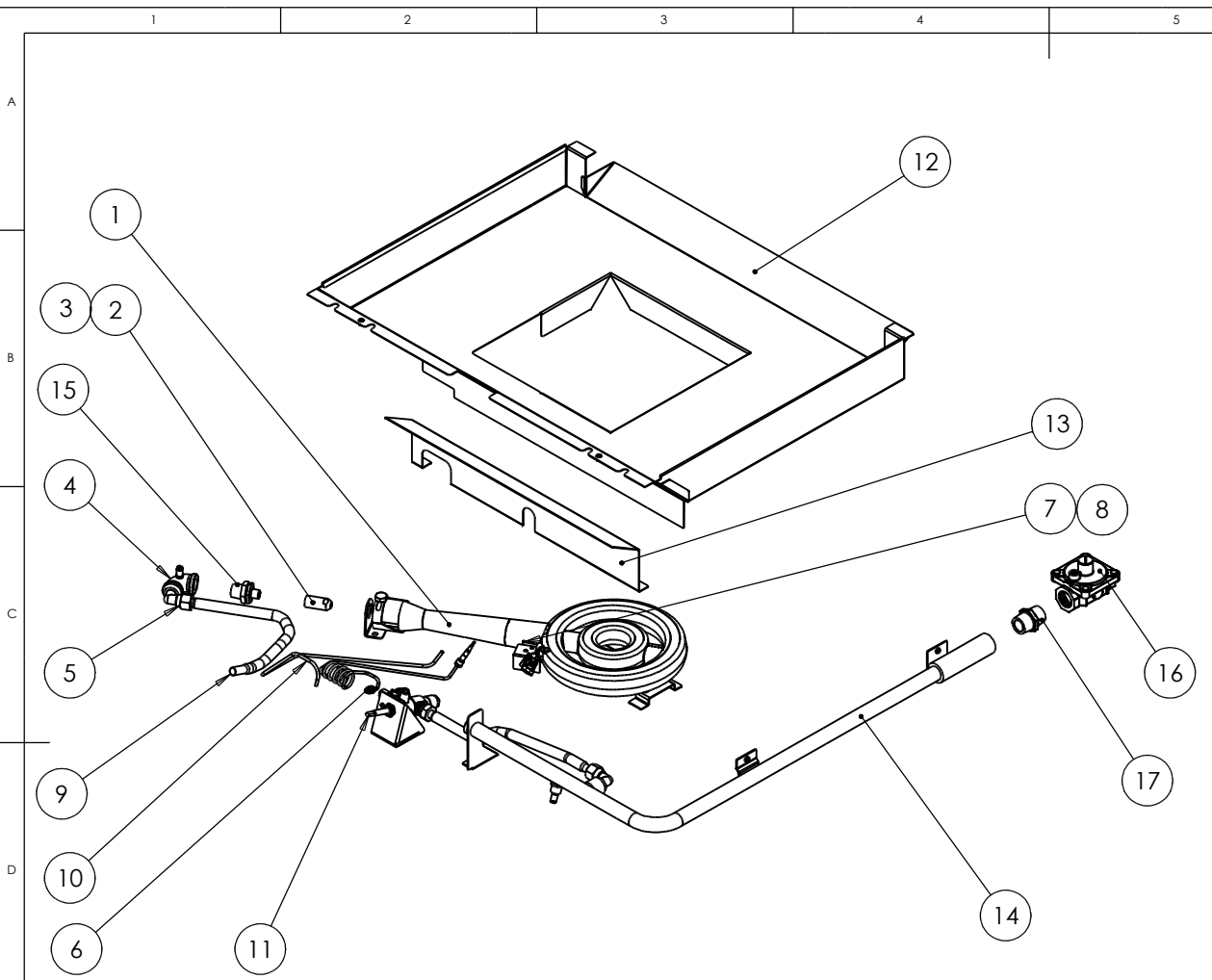
UNLESS OTHERWISE SPECIFIED:  
DIMENSIONS ARE IN MILLIMETERS  
TOLERANCES:  
LINEAR: ±0.5mm  
ANGULAR: ±0.5 DEG

DEBUR AND  
BREAK SHARP EDGES

WEIGHT: g



DRAWN: <b>IAIN JAMES</b>	PRODUCT	
DATE: <b>31/05/11</b>	<b>G3121/27/24</b>	
SCALE: <b>1:10</b>	TITLE	
MATL: -	<b>SPARES - FITMENTS</b>	
THICKNESS:	FINISH:	DRAWING NUMBER
BIN No:	PART No:	<b>AA48643</b>
		ISSUE
		<b>A</b>



		6	7	8
ITEM	DESCRIPTION	G3107 SPARES No	G3127 SPARES No	
1	SOLID TOP BURNER ASSEMBLY	535410001	535410001	
2	SOLID TOP INJECTOR NAT GAS	535410006	535410006	
3	SOLID TOP INJECTOR PROPANE	535410007	535410007	
4	ELBOW C/W TEST NIPPLE	535310000	535310000	
5	SOLID TOP PIPE COUPLING	531600030	531600030	
6	SOLID TOP THERMOCOUPLE	534101001	534101001	
7	SOLID TOP PILOT ASSEMBLY NAT GAS No 36	535310001	535310001	
7.1	PILOT ORIFICE NAT GAS No 36	530961100	530961100	
8	SOLID TOP PILOT ASSEMBLY PROPANE No 19	531600055	531600055	
8.1	PILOT ORIFICE PROPANE No 19	535410015	535410015	
9	SOLID TOP TAP- BURNER & FLOATRAIL FLEXI PIPE C/W OLIVES	535410003	535410003	
10	SOLID TOP PILOT FLEXI PIPE C/W OLIVES	535010012	535010012	
11	SOLID TOP CONTROL VALVE	535310003	535310003	
11.1	4mm PILOT PIPE OLIVE	535310004	535310004	
11.2	PILOT PIPE TUBE NUT	535310005	535310005	
11.3	12mm GAS PIPE OLIVE	535310006	535310006	
11.4	GAS PIPE TUBE NUT	535310007	535310007	
12	HOB BURNER TRAY	535410017	535410017	
13	TAP HEATSHIELD	535220003	535220003	
14	FLOAT RAIL	535310008	535350000	
15	INJECTOR HOLDER	535480035	53580035	
16	GOVERNOR	535480015	535480015	
17	3/4" FITTING	535480016	535480016	
	CONVERSION KIT NAT GAS TO PROPANE (PRE F551159)	535310011	535350002	
	CONVERSION KIT PROPANE TO NAT GAS (PRE F551159)	535310012	535350003	
	CONVERSION KIT NAT GAS TO PROPANE (POST F551159)	535310013	535350002	
	CONVERSION KIT PROPANE TO NAT GAS (POST F551159)	535310014	535350003	

# PRODUCTION ISSUE

ISSUE	MOD No	ALTERATION	DRAWN BY	DATE
A	6422	ISSUED FOR PRODUCTION	I.JAMES	31/5/11
B	7178	OVEN CONTROLS REMOVED FROM DRAWING	S.MOONEY	21/11/14

IF IN DOUBT ASK DO NOT SCALE  
FIRST ANGLE PROJECTION

UNLESS OTHERWISE SPECIFIED:  
DIMENSIONS ARE IN MILLIMETERS  
TOLERANCES:  
LINEAR: ±0.5mm  
ANGULAR: ±0.5 DEG

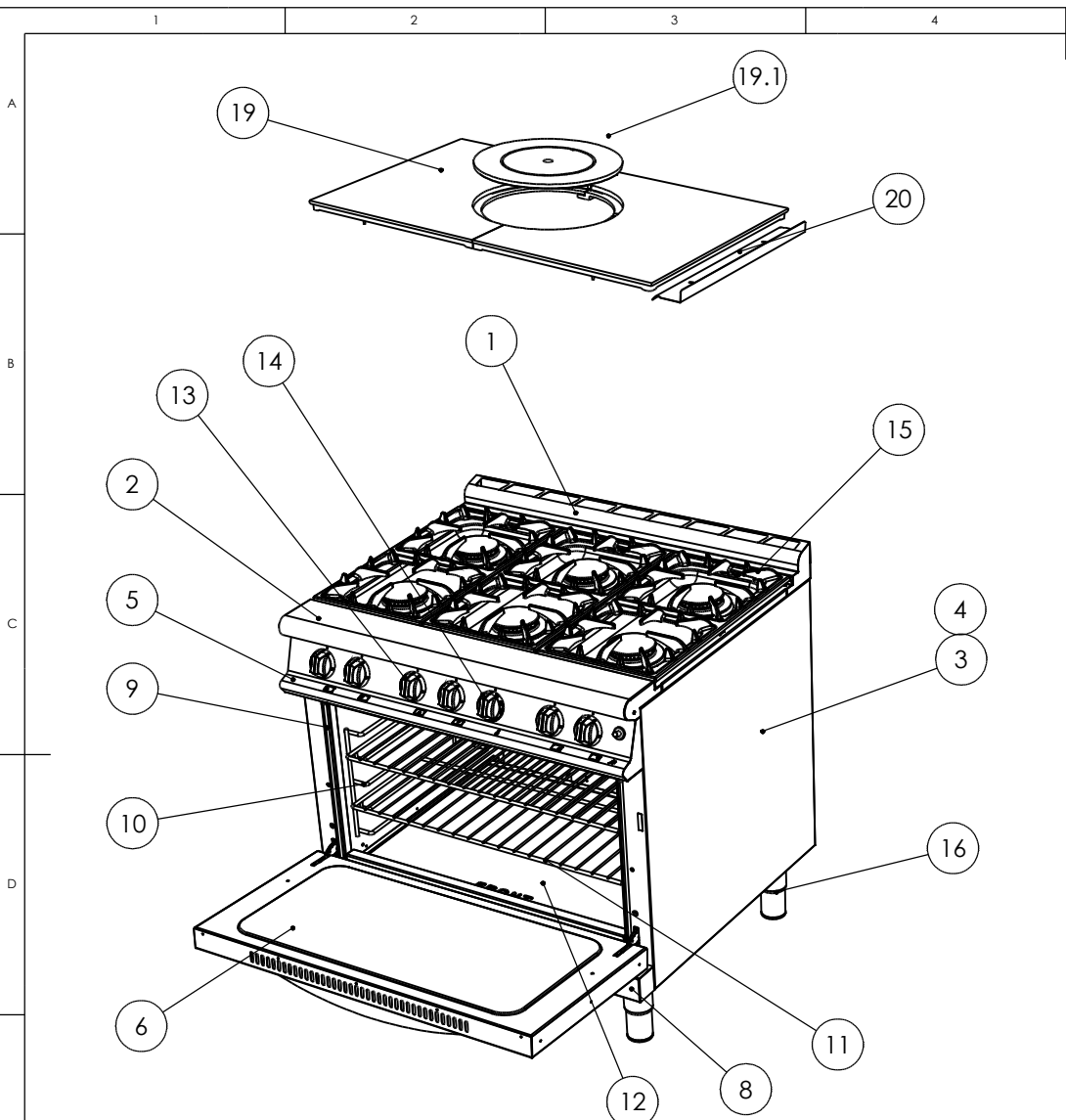
DEBUR AND BREAK SHARP EDGES

WEIGHT: 140306.10g



DRAWN: IAIN JAMES	PRODUCT: G3107/27
DATE: 31/05/11	TITLE: SPARES - HOB CONTROLS
SCALE: 1:7.5	
MATL: -	DRAWING NUMBER: AA48644
THICKNESS:	FINISH:
BIN No:	PART No:
	ISSUE: B

© NO REPRODUCTION OR PUBLICATION OF THIS DRAWING MAY BE MADE AND NO ARTICLE MAY BE MANUFACTURED OR ASSEMBLED IN ACCORDANCE WITH THIS DRAWING WITHOUT PRIOR WRITTEN CONSENT. THIS PROHIBITION IS A TERM OF ANY CONTRACT RELATING TO THIS DRAWING. RIGHTS RESERVED UNDER THE COPYRIGHT ACT 1956 AS AMENDED BY THE DESIGN COPYRIGHT ACT 1968



		5	6	7	8
ITEM	DESCRIPTION	G3101D	G3117D	G3107D	
		SPARES No	SPARES No	SPARES No	
1	REAR HOB RAIL	535290017	535290017	535290017	
2	FRONT HOB RAIL	535290018	535290018	535290018	
3	RH OUTER SIDE PANEL	535200001	535200001	535200001	
4	LH OUTER SIDE PANEL	535200000	535200000	535200000	
5	CONTROL PANEL	535290019	535320000	535310009	
6	OVEN DOOR ASSEMBLY	535290036	535290036	535290036	
6.1	DOOR HANDLE	535290037	535290037	535290037	
6.2	DOOR HINGE SET	535290038	535290038	535290038	
7	DOOR HINGE PLATE SET	535290039	535290039	535290039	
8	BOTTOM SKIRT PANEL	535290040	535290040	535290040	
9	DOOR SEAL	535200005	535200005	535200005	
10	OVEN SHELF HANGER	535200012	535200012	535200012	
11	OVEN SHELF	535290023	535290023	535290023	
12	OVEN BASE PLATE PRE JAN 17	535290041	535290041	535290041	
12	OVEN BASE PLATE POST JAN 17	535290083	535290083	535290083	
13	O/T - SOLID TOP CONTROL KNOB	535290025	N/A	535310010	
14	OVEN CONTROL KNOB	535290026	535290026	535290026	
15	PAN SUPPORT	535290027	N/A	N/A	
16	ADJUSTABLE FOOT	535290028	535290028	535290028	
17	REAR FIXED CASTOR (NOT SHOWN)	534103055	534103055	534103055	
18	FRONT SWIVEL CASTOR (NOT SHOWN)	530964350	530964350	530964350	
19	SOLID TOP CASTING COMPLETE	N/A	N/A	535400170	
19.1	SOLID TOP CENTRE & RING SET	N/A	N/A	535400160	
20	HOB SIDE DRIP SHED	N/A	535410018	535410018	
21	GP OVEN WORKTOP PANEL (NOT SHOWN)	N/A	535470002	N/A	

# PRODUCTION ISSUE

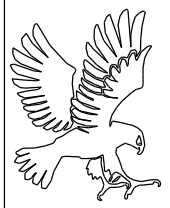
ISSUE	MOD No	ALTERATION	DRAWN BY	DATE
A	1340/2	PRODUCTION ISSUE	I.JAMES	06/07/12
B	6834	OUTER SIDE PANEL SPARES CODES CHANGED	P.METCALFE	01/03/13
C	8093	ADDITION OF PRE & POST DATES FOR OVEN BASE PLATES	F.GARVOCK	23/04/18

IF IN DOUBT ASK DO NOT SCALE FIRST ANGLE PROJECTION

UNLESS OTHERWISE SPECIFIED: DIMENSIONS ARE IN MILLIMETERS TOLERANCES: LINEAR: ±0.5mm ANGULAR: ±0.5 DEG

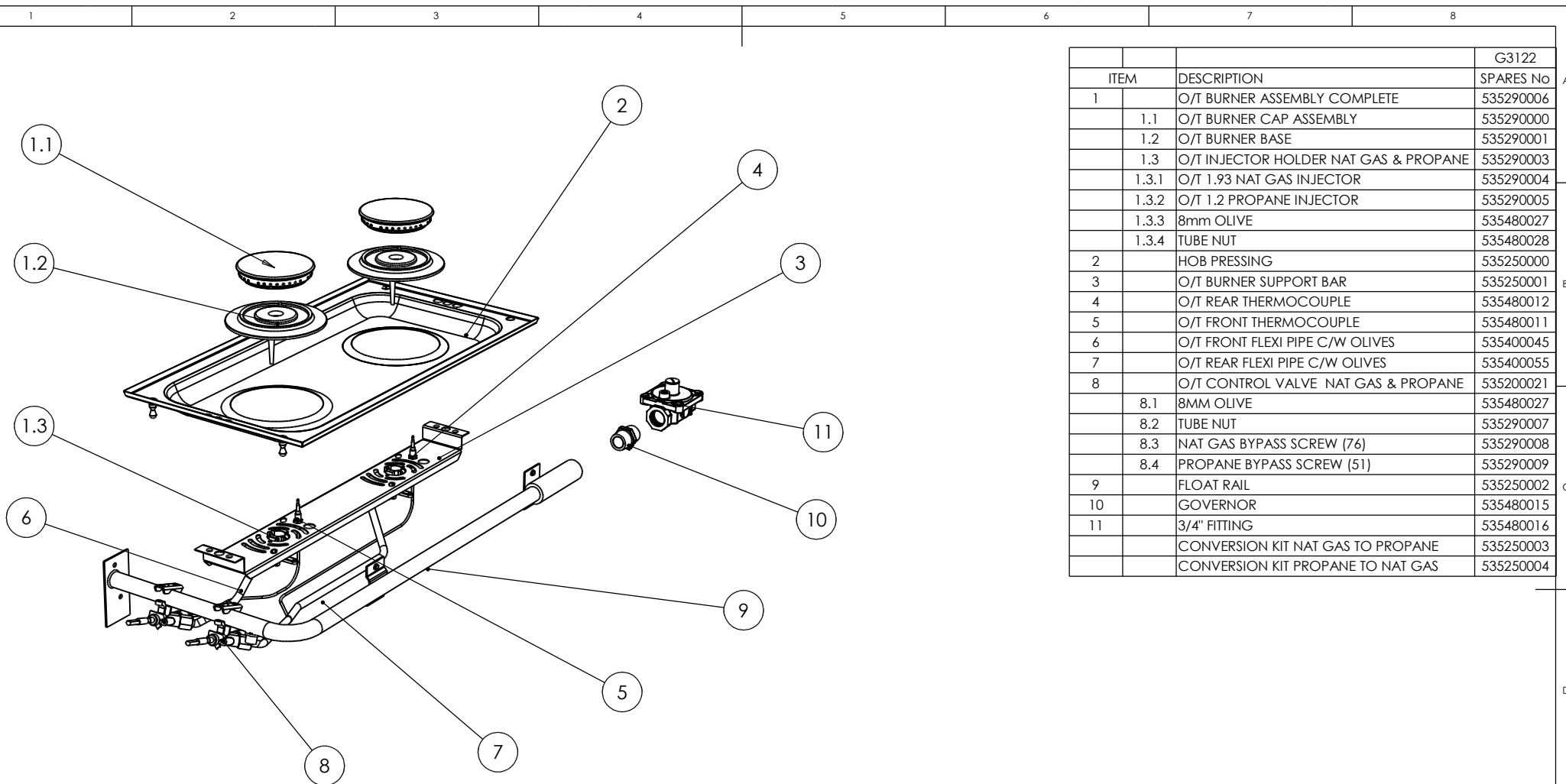
DEBUR AND BREAK SHARP EDGES

WEIGHT: 113304.02g



DRAWN: I.JAMES	PRODUCT	<b>G3101D/17D/07D</b>	
DATE: 19/04/12	TITLE	---	
SCALE: 1:10	DRAWING NUMBER	AA49463	
MATL: "SW-Material@Assem1.SLDPRT"	ISSUE	C	
THICKNESS:	FINISH:		
BIN No: R----	PART No: T-----		

NO REPRODUCTION OR PUBLICATION OF THIS DRAWING MAY BE MADE AND NO ARTICLE MAY BE MANUFACTURED OR ASSEMBLED IN ACCORDANCE WITH THIS DRAWING WITHOUT PRIOR WRITTEN CONSENT. THIS PROHIBITION IS A TERM OF ANY CONTRACT RELATING TO THIS DRAWING. RIGHTS RESERVED UNDER THE COPYRIGHT ACT 1956 AS AMENDED BY THE DESIGN COPYRIGHT ACT 1968



		G3122	
ITEM	DESCRIPTION	SPARES No	
1	O/T BURNER ASSEMBLY COMPLETE	535290006	
1.1	O/T BURNER CAP ASSEMBLY	535290000	
1.2	O/T BURNER BASE	535290001	
1.3	O/T INJECTOR HOLDER NAT GAS & PROPANE	535290003	
1.3.1	O/T 1.93 NAT GAS INJECTOR	535290004	
1.3.2	O/T 1.2 PROPANE INJECTOR	535290005	
1.3.3	8mm OLIVE	535480027	
1.3.4	TUBE NUT	535480028	
2	HOB PRESSING	535250000	
3	O/T BURNER SUPPORT BAR	535250001	
4	O/T REAR THERMOCOUPLE	535480012	
5	O/T FRONT THERMOCOUPLE	535480011	
6	O/T FRONT FLEXI PIPE C/W OLIVES	535400045	
7	O/T REAR FLEXI PIPE C/W OLIVES	535400055	
8	O/T CONTROL VALVE NAT GAS & PROPANE	535200021	
8.1	8MM OLIVE	535480027	
8.2	TUBE NUT	535290007	
8.3	NAT GAS BYPASS SCREW (76)	535290008	
8.4	PROPANE BYPASS SCREW (51)	535290009	
9	FLOAT RAIL	535250002	
10	GOVERNOR	535480015	
11	3/4" FITTING	535480016	
	CONVERSION KIT NAT GAS TO PROPANE	535250003	
	CONVERSION KIT PROPANE TO NAT GAS	535250004	

# PRODUCTION ISSUE

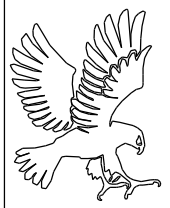
ISSUE	MOD No	ALTERATION	DRAWN BY	DATE
A	1382	PRODUCTION ISSUE	I.JAMES	22/04/13

IF IN DOUBT ASK  
DO NOT SCALE  
FIRST ANGLE PROJECTION

UNLESS OTHERWISE SPECIFIED:  
DIMENSIONS ARE IN MILLIMETERS  
TOLERANCES:  
LINEAR: ±0.5mm  
ANGULAR: ±0.5 DEG

DEBUR AND  
BREAK SHARP EDGES

WEIGHT: 159898.99g

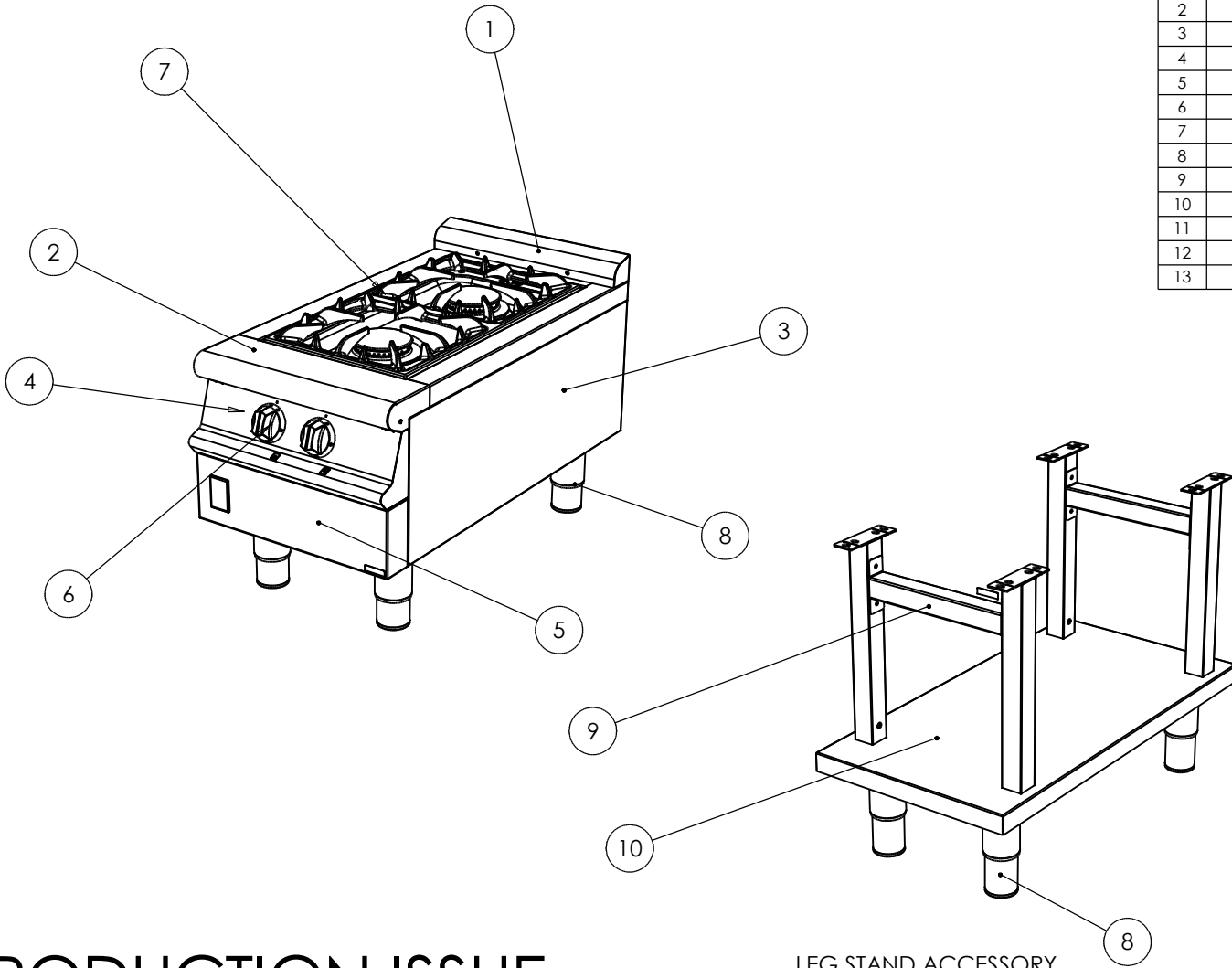


DRAWN: <b>I.JAMES</b>	PRODUCT	
DATE: <b>29/01/13</b>	<b>G3122 BOILING TOP</b>	
SCALE: <b>1:10</b>	TITLE	
MATL: -	<b>G3122 SPARES - CONTROLS</b>	
THICKNESS:	FINISH:	DRAWING NUMBER
BIN No:	PART No:	<b>AA50199</b>
		ISSUE
		<b>A</b>

© NO REPRODUCTION OR PUBLICATION OF THIS DRAWING MAY BE MADE AND NO ARTICLE MAY BE MANUFACTURED OR ASSEMBLED IN ACCORDANCE WITH THIS DRAWING WITHOUT PRIOR WRITTEN CONSENT. THIS PROHIBITION IS A TERM OF ANY CONTRACT RELATING TO THIS DRAWING. RIGHTS RESERVED UNDER THE COPYRIGHT ACT 1956 AS AMENDED BY THE DESIGN COPYRIGHT ACT 1968



ITEM	DESCRIPTION	G3122 SPARES No
1	REAR FLUE PANEL	535250005
2	HOB PANEL	535250006
3	OUTER SIDE PANEL	735850000
4	CONTROL PANEL	535250007
5	CONTROL PANEL LOWER FACIA	735850001
6	HOB CONTROL KNOB	535290025
7	PAN SUPPORT	535290027
8	ADJUSTABLE FOOT	535480067
9	LEG STAND LEG ASSEMBLY	535250008
10	BOTTOM SHELF	535250009
11	BOTTOM FRAME (NOT SHOWN)	535250010
12	FRONT SWIVEL CASTOR (NOT SHOWN) FOR STAND ONLY	530964350
13	REAR FIXED CASTOR (NOT SHOWN) FOR STAND ONLY	535290031



# PRODUCTION ISSUE

LEG STAND ACCESSORY

ISSUE	MOD No	ALTERATION	DRAWN BY	DATE
A	1382	PRODUCTION ISSUE	I.JAMES	22/04/13

IF IN DOUBT ASK  
DO NOT SCALE  
FIRST ANGLE PROJECTION

UNLESS OTHERWISE SPECIFIED:  
DIMENSIONS ARE IN MILLIMETERS  
TOLERANCES:  
LINEAR: ±0.5mm  
ANGULAR: ±0.5 DEG

DEBUR AND  
BREAK SHARP EDGES

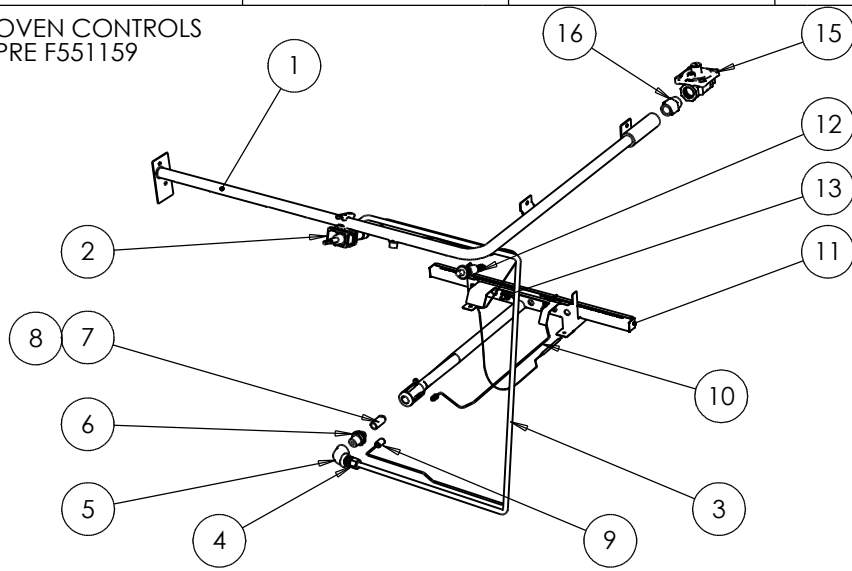
WEIGHT: 158150.97g



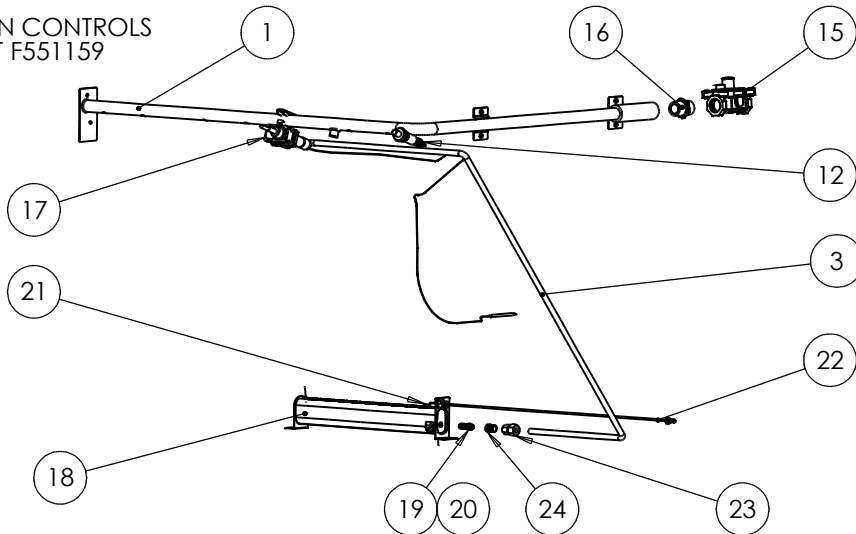
DRAWN: <b>I.JAMES</b>	PRODUCT <b>G3122 BOILING TOP</b>	
DATE: <b>29/01/13</b>	TITLE <b>G3122 SPARES - FITMENTS</b>	
SCALE: <b>1:7.5</b>	DRAWING NUMBER	ISSUE
MATL:	<b>AA50200</b>	<b>A</b>
THICKNESS:		
BIN No:	PART No:	

© NO REPRODUCTION OR PUBLICATION OF THIS DRAWING MAY BE MADE AND NO ARTICLE MAY BE MANUFACTURED OR ASSEMBLED IN ACCORDANCE WITH THIS DRAWING WITHOUT PRIOR WRITTEN CONSENT. THIS PROHIBITION IS A TERM OF ANY CONTRACT RELATING TO THIS DRAWING. RIGHTS RESERVED UNDER THE COPYRIGHT ACT 1956 AS AMENDED BY THE DESIGN COPYRIGHT ACT 1968

OVEN CONTROLS  
PRE F551159



OVEN CONTROLS  
POST F551159

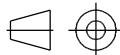


ITEM	DESCRIPTION	G3101			G3117			G3107		
		SPARES No	SPARES No	SPARES No	SPARES No	SPARES No	SPARES No	SPARES No	SPARES No	
1	FLOAT RAIL	535290010	535310008	535310008						
2	OVEN THERMOSTAT NAT GAS & PROPANE (PRE F551159)	535200022	535200022	535200022						
	10MM OLIVE	10.1	535290012	535290012	535290012					
	TUBE NUT	10.2	535290013	535290013	535290013					
	NAT GAS BYPASS SCREW (76)	10.3	535290008	535290008	535290008					
	PROPANE BYPASS SCREW (52)	10.4	535290014	535290014	535290014					
3	OVEN FLEXI PIPE C/W OLIVES	535480082	535480082	535480082						
4	OVEN PIPE COUPLING(PRE F551159)	535480042	535480042	535480042						
5	ELBOW (PRE F551159)	535480041	535480041	535480041						
6	INJECTOR HOLDER(PRE F551159)	535480035	535480035	535480035						
7	OVEN BURNER INJECTOR NAT GAS(PRE F551159)	535480036	535480036	535480036						
8	OVEN BURNER INJECTOR PROPANE (PRE F551159)	535480037	535480037	535480037						
9	OVEN THERMOCOUPLE EXTENSION (PRE F551159)	535400120	535400120	535400120						
10	OVEN THERMOCOUPLE (PRE F551159)	535400180	535400180	535400180						
11	OVEN BURNER (PRE F551159)	535290015	535290015	535290015						
12	OVEN PIEZO IGNITER	535010000	535010000	535010000						
13	OVEN IGNITION ELECTRODE (PRE F551159)	535480033	535480033	535480033						
14	OVEN IGNITION LEAD (NOT SHOWN) (PRE F551159)	535290016	535290016	535290016						
15	GOVERNOR	535480015	535480015	535480015						
16	3/4" FITTING	535480016	535480016	535480016						
17	OVEN THERMOSTAT NAT GAS & PROPANE (POST F551159)	535290062	535290062	535290062						
	10MM OLIVE	17.1	535290012	535290012	535290012					
	TUBE NUT	17.2	535290013	535290013	535290013					
	NAT GAS BYPASS SCREW (93)	17.3	535290064	535290064	535290064					
	PROPANE BYPASS SCREW (55)	17.4	535290070	535290070	535290070					
18	OVEN BURNER(POST F551159)	535290055	535290055	535290055						
19	OVEN BURNER INJECTOR NAT GAS (POST F551159)	535290056	535290056	535290056						
20	OVEN BURNER INJECTOR PROPANE (POST F551159)	535290057	535290057	535290057						
21	OVEN IGNITION ELECTRODE (POST F551159)	535290059	535290059	535290059						
22	OVEN THERMOCOUPLE (POST F551159)	535290058	535290058	535290058						
23	OVEN BURNER COUPLING (POST F551159)	535290060	535290060	535290060						
24	OVEN BURNER REDUCER (POST F551159)	535290061	535290061	535290061						
25	OVEN IGNITION LEAD (POST F551159)(NOT SHOWN)	535290063	535290063	535290063						
	CONVERSION KIT NAT GAS TO PROPANE (PRE F551159)	535290029	535320001	535310011						
	CONVERSION KIT PROPANE TO NAT GAS (PRE F551159)	535290030	535320002	535310012						
	CONVERSION KIT NAT GAS TO PROPANE (POST F551159)	535290065	535320005	535310013						
	CONVERSION KIT PROPANE TO NAT GAS (POST F551159)	535290066	535320006	535310014						

# PRODUCTION ISSUE

ISSUE	MOD No	ALTERATION	DRAWN BY	DATE
A	7178	OVEN CONTROLS ISSUED FOR PRODUCTION	S.MOONEY	29/09/14
B	7224	ITEM 17.4 CHANGED TO No 55 BY PASS SCREW	S.MOONEY	10/12/14

IF IN DOUBT ASK  
DO NOT SCALE  
FIRST ANGLE PROJECTION



UNLESS OTHERWISE SPECIFIED:  
DIMENSIONS ARE IN MILLIMETERS  
TOLERANCES:  
LINEAR: ±0.5mm  
ANGULAR: ±0.5 DEG

DEBUR AND  
BREAK SHARP EDGES

WEIGHT: g



DRAWN: **S.MOONEY**

DATE: **24/09/14**

SCALE: **1:10**

MATL:

THICKNESS:

BIN No:

PRODUCT

**G3101/07/17**

TITLE

**SPARES - OVEN CONTROLS**

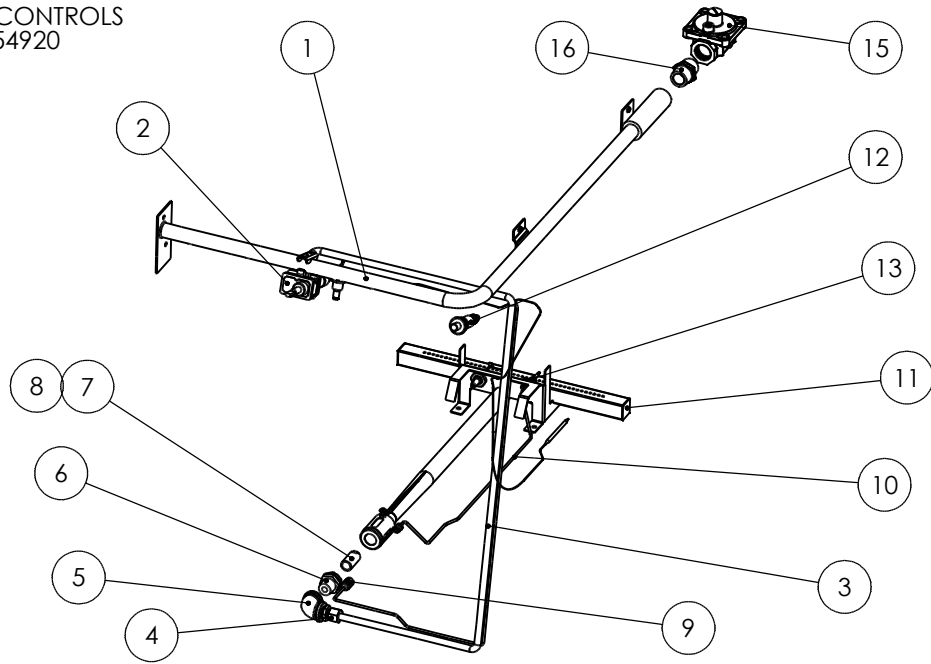
DRAWING NUMBER

**AA51835**

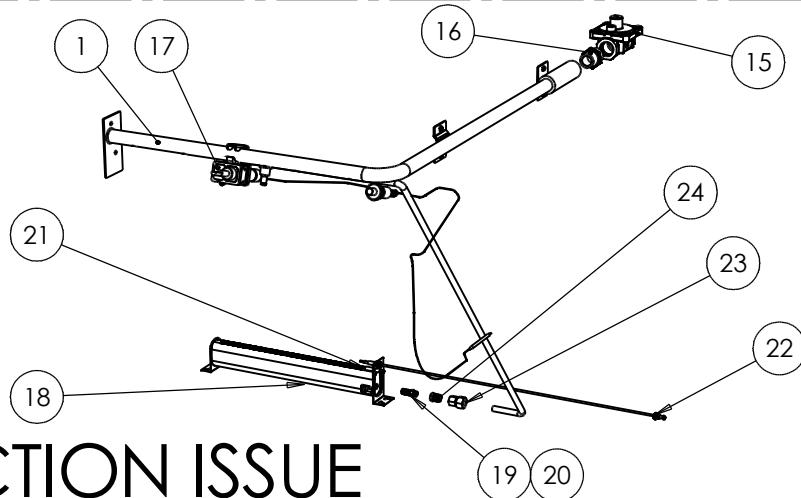
ISSUE

**B**

OVEN CONTROLS  
PRE F554920



OVEN CONTROLS  
POST F554920



**PRODUCTION ISSUE**

ISSUE	MOD No	ALTERATION	DRAWN BY	DATE
A	7224	ISSUED FOR PRODUCTION	S.MOONEY	10/12/14

IF IN DOUBT ASK  
DO NOT SCALE  
FIRST ANGLE PROJECTION

UNLESS OTHERWISE SPECIFIED:  
DIMENSIONS ARE IN MILLIMETERS  
TOLERANCES:  
LINEAR: ±0.5mm  
ANGULAR: ±0.5 DEG

DEBUR AND  
BREAK SHARP EDGES

WEIGHT: 88521.61g



DRAWN: <b>S.MOONEY</b>	PRODUCT <b>G3161/61D</b>	
DATE: <b>05/12/14</b>	TITLE <b>SPARES - OVEN CONTROLS</b>	
SCALE: <b>1:8</b>	DRAWING NUMBER	ISSUE
MATL:	<b>AA51836</b>	<b>A</b>
THICKNESS:	FINISH:	PART No:
BIN No:		

ITEM	DESCRIPTION	SPARES No
		G3161/D
1	FLOATRAIL	535330000
2	OVEN THERMOSTAT NAT GAS & PROPANE (PRE F554920)	535241007
2.1	10MM OLIVE	535290012
2.2	TUBE NUT	535290013
2.3	NAT GAS BYPASS SCREW (60) (PRE F554920)	535330002
2.4	PROPANE BYPASS SCREW (44) (PRE F554920)	535330003
3	OVEN FLEXI PIPE C/W OLIVES	535480082
4	OVEN PIPE COUPLING(PRE F554920)	535480042
5	ELBOW (PRE F554920)	535480041
6	INJECTOR HOLDER (PRE F554920)	535480035
7	OVEN BURNER INJECTOR NAT GAS (PRE F554920)	535480038
8	OVEN BURNER INJECTOR PROPANE (PRE F554920)	535480039
9	OVEN THERMOCOUPLE EXTENSION (PRE F554920)	535400120
10	OVEN THERMOCOUPLE (PRE F554920)	535400180
11	OVEN BURNER (PRE F554920)	535330004
12	OVEN PIEZO IGNITER (PRE F554920)	535010000
13	OVEN IGNITION ELECTRODE (PRE F554920)	535480033
14	OVEN IGNITION LEAD (NOT SHOWN) (PRE F554920)	535290016
15	GOVERNOR	535480015
16	3/4" FITTING	535480016
17	OVEN THERMOSTAT NAT GAS & PROPANE (POST F554920)	535241011
17.1	10MM OLIVE	535290012
17.2	TUBE NUT	535290013
17.3	NAT GAS BYPASS SCREW (76) (POST F554920)	535290008
17.4	PROPANE BYPASS SCREW (51) (POST F554920)	535290009
18	OVEN BURNER (POST F554920)	535290055
19	OVEN BURNER INJECTOR (NAT GAS) (POST F554920)	535290056
20	OVEN BURNER INJECTOR (PROPANE) (POST F554920)	535290057
21	OVEN IGNITION ELECTRODE (POST F554920)	535290059
22	OVEN THERMOCOUPLE (POST F554920)	535290058
23	OVEN BURNER COUPLING (POST F554920)	535290060
24	OVEN BURNER REDUCER (POST F554920)	535290061
25	OVEN IGNITION LEAD (NOT SHOWN) (POST F554920)	535290063
	CONVERSION KIT NAT GAS TO PROPANE (PRE F554920)	535330012
	CONVERSION KIT PROPANE TO NAT GAS (PRE F554920)	535330013
	CONVERSION KIT NAT GAS TO PROPANE (POST F554920)	535330014
	CONVERSION KIT PROPANE TO NAT GAS (POST F554920)	535330015